



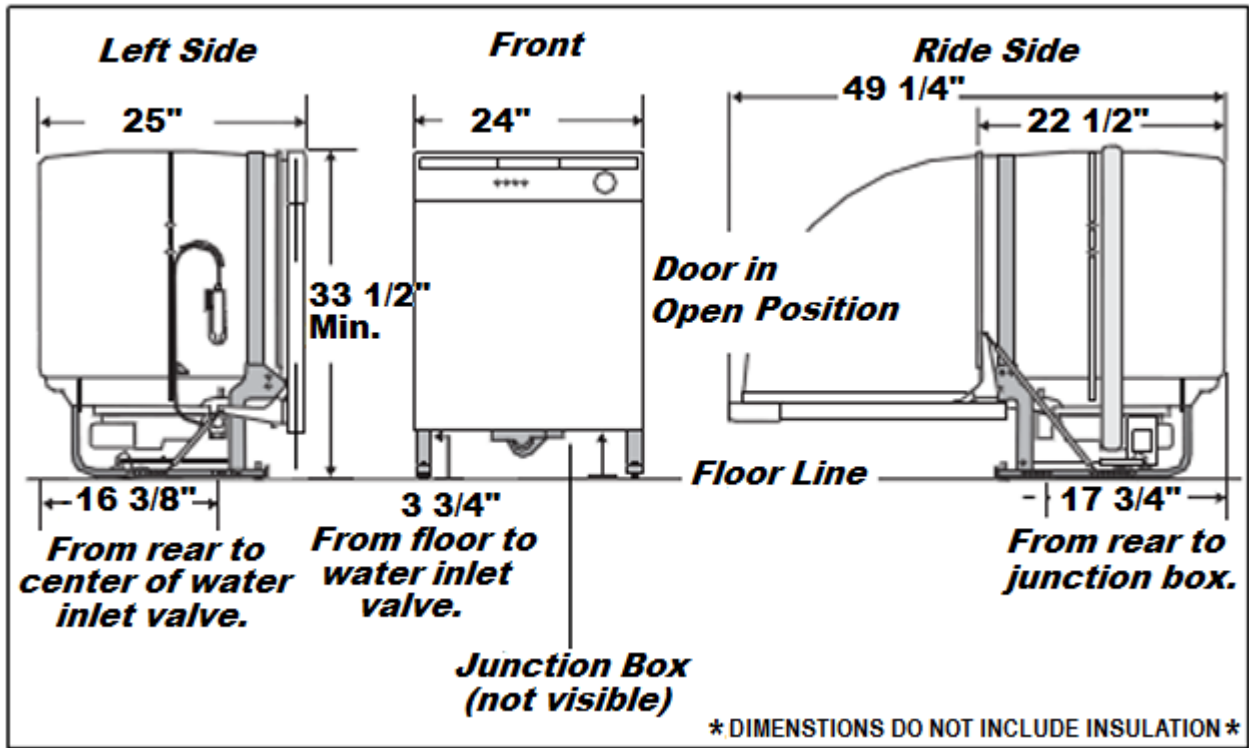
1502D Planning & Design: Laboratory Dishwasher

Unit Dimensions

	US	METRIC
HEIGHT:	33 1/2" - 35"	850.9 - 889
WIDTH:	24"	609.6
DEPTH:	24"	609.6
DEPTH: (Including Door)	25"	635
DEPTH: (To Tub Flange)	22 1/2"	571.5
DEPTH WITH DOOR OPEN 90°:	49 1/4"	1250.95

Technical Data

Electricity:	120V/60Hz/15A
Water Pressure:	20-120
Water Usage:	6.0
dB Level:	61
Shipping Weight:	85 lbs.



Cutout Dimensions

	US	METRIC
HEIGHT:	34 1/4" - 35 1/4"	869.95 - 895.35
WIDTH:	24"	609.60
DEPTH:	24"	609.60

The electrical and water supplies should enter through the area indicated by the shaded area. Preferably, they should come through the right side of the machine. The access hole must be round and smooth and no bigger than 2" (51 mm) in diameter.

