



GLASSWARE WASHER INSTALLATION INSTRUCTIONS

IMPORTANT!

Read all of these instructions before installing the glassware washer.

AUTOMATIC HIGH LOOP

The drain hose is fastened to the back of the machine at the best height. To eliminate potential drain problems, leave this hose in place.

CONTENTS

INTRODUCTION	2
UNIT DIMENSIONS	3
CORNER INSTALLATION	4
EASYINSTALL CONNECTIONS	4
PREPARING THE GLASSWARE WASHER FOR INSTALLATION	5
MOVING THE MACHINE INTO PLACE	5
CONNECTING THE ELECTRIC CABLE	7
INSTALLING THE TOE KICK	8

INTRODUCTION

Read these instructions carefully and completely before you install the machine. The installation should be carried out by a qualified person who is familiar with all local codes and ordinances for electrical and plumbing connections

If a glassware washer is being installed in this area for the first time, most of the cabinet work, plumbing, and electrical has to be done before you move the machine into place.

Tip Guards (optional)

When it is not possible to attach the glassware washer to the cabinet or the underside of the counter top, you should install tip guards to prevent the machine from tipping when you open the door. Sold individually.



If you are replacing an old glassware washer, you must check the plumbing connection and wiring before you move the new glassware washer into place.

NOTE:

Cosmetic damage should be reported to Universal Scientific within five days from the date of purchase. As soon as you unpack the glassware washer, thoroughly check it for cosmetic damage.

The glassware washer is shipped with the high loop drain hose, inlet hose and electrical cord attached and ready to be connected. **Please do not remove the high loop connection for the drain line.**



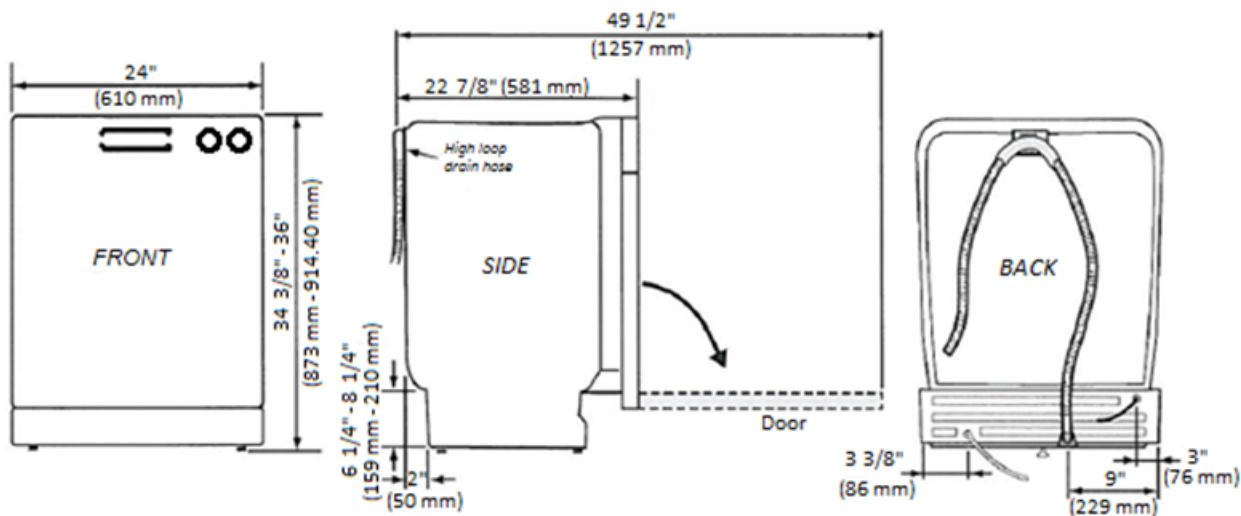
UNIT DIMENSIONS

Unit Dimensions

	US	METRIC
HEIGHT:	34 3/8" – 36"	873 – 914.40 mm
WIDTH:	24"	610 mm
DEPTH:	22 7/8"	581 mm
DEPTH W/DOOR OPEN:	49 1/2"	1257 mm
SHIPPING WEIGHT:	195 lbs	88.45 kg

Technical Data

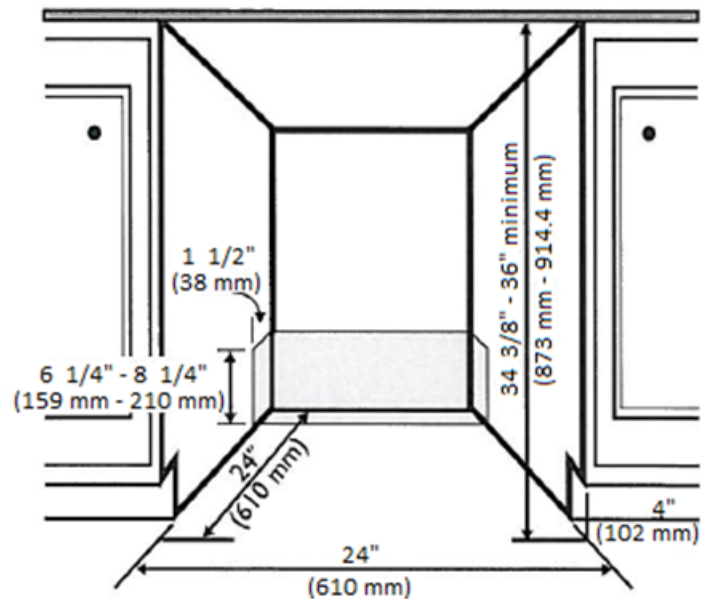
Electricity:	120 V, 60 Hz, 15 Amp
Water Pressure:	18 - 176 psi
Heating Element:	1200 watt
Max Loading:	1300 watt



Cutout Dimensions

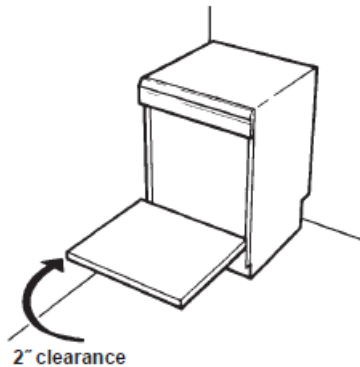
	US	METRIC
HEIGHT:	34 3/8" – 36"	873 – 914.40 mm
WIDTH:	24"	610 mm
DEPTH:	24"	610 mm

The electrical and water supplies should enter through the area indicated by the shaded area. Preferably, they should come through the right side of the machine. The access hole must be round and smooth and no bigger than 1 1/2" (38 mm) in diameter.



CORNER INSTALLATION

If the glassware washer is installed in a corner, there must be a minimum clearance of 2" (50 mm) from the side wall so the door can open.



EASYINSTALL CONNECTIONS

PEX tubing with 3/8" compression fitting
PEX tubing has a 95-year spec life.
Fits American water supply valves.
Be sure to install the **O-Ring which is attached to the PEX tubing in a plastic bag.**



Drain hose boot

Ready to be cut to desired drain connection. Only one clamp required.



Electrical cord

120 volts, 15 amp cord is supplied with glassware washer.



WARNING!

Do not use an extension cord for this appliance.

PREPARING THE GLASSWARE WASHER FOR INSTALLATION

At this point the Styrofoam, plastic wrap, and the wood pallet (base) should be removed from the glassware washer. Now is an excellent time to inspect for any shipping damage. Should you find any damage, you should report it to your dealer or Universal Scientific immediately.

Be sure to remove the toe kick and toe kick insulation from the top of the glassware washer.

SLIDES FOR LEGS

The unit comes with white plastic slides for the legs to protect the floor from being damaged when you slide the unit into place. The slides snap onto the bottom of the legs.

Use caution when sliding the glassware washer into place. The protective slides could cause damage to certain types of soft flooring.



MOVING THE MACHINE INTO PLACE

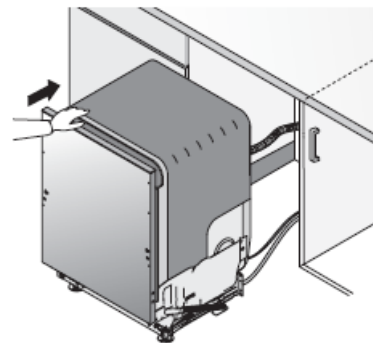
WARNING!

Make sure you put the protective slides on the legs to prevent damaging the floor when you slide the unit into place.

Use caution when sliding the glassware into place. The protective slides could cause damage to certain types of soft flooring.

WARNING!

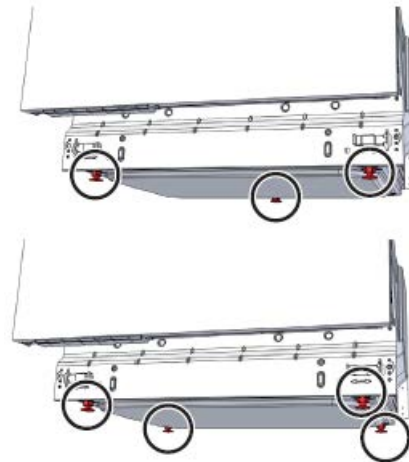
Be careful of sharp edges.



MOVING THE MACHINE INTO PLACE

ADJUSTING MACHINES WITH THREE OR FOUR FEET

1. Position the machine in front of the cabinet opening.
2. Push the plastic feet into place on all steel feet (included in document bag).
3. Start by measuring the height from the floor to the bottom edge of the counter top. Measure the height from the floor to the top edge of the dishwasher.
4. Loosen the lock nuts on the dishwasher's steel feet using a 5/8" (16 mm) open-ended wrench. Screw the lock nuts down as close to the floor as possible.
5. Make the height adjustment while the dishwasher is in front of the opening. Adjust all feet by turning them clockwise to raise or counterclockwise to lower the dishwasher.
6. Check that the height of the machine corresponds to the height from the floor to the bottom edge of the counter top.
7. Tighten the lock nuts (lock nut) on the rear feet (foot).
8. Pull out the drain hose to ensure there are no sharp bends.
9. Start to feed water and drain lines and electric cord (if necessary) into the access hole(s) in the cabinet.
10. Gently slide the unit into the dishwasher opening. As you do this, feed the drain line and inlet hose into the access hole(s) in the side of the cabinet.
11. If installing in a metal cabinet, the hole(s) for the drain hose and connection pipe must be fitted with edge protectors/rubber grommets.
12. Place the spirit level on the dishwasher door to check that the machine is level and adjust if necessary. The door must be fully closed!
13. Make any final adjustments to the front feet. (The machine may have an inclination of 3/16" (5 mm) maximum without affecting its performance.)
14. When the front feet are properly adjusted, tighten the lock nuts to the base pan.



CONNECTING THE ELECTRIC CABLE

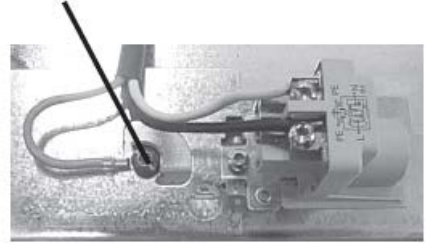
If the cord is not long enough, or if a hard-wire installation is needed, follow the steps below to complete the electrical connection.

WARNING!

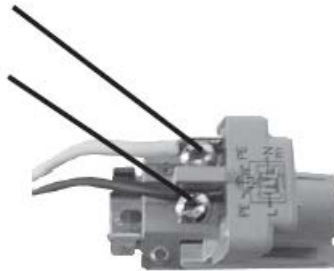
Before starting this procedure, be sure the power is turned off at the breaker/fuse box.

2. Connect supply cable with a UL-listed strain relief bushing (if nonmetallic cable is to be used.)
3. Connect branch circuit white lead to N lead on filter.
4. Connect branch circuit black lead to L lead on filter.

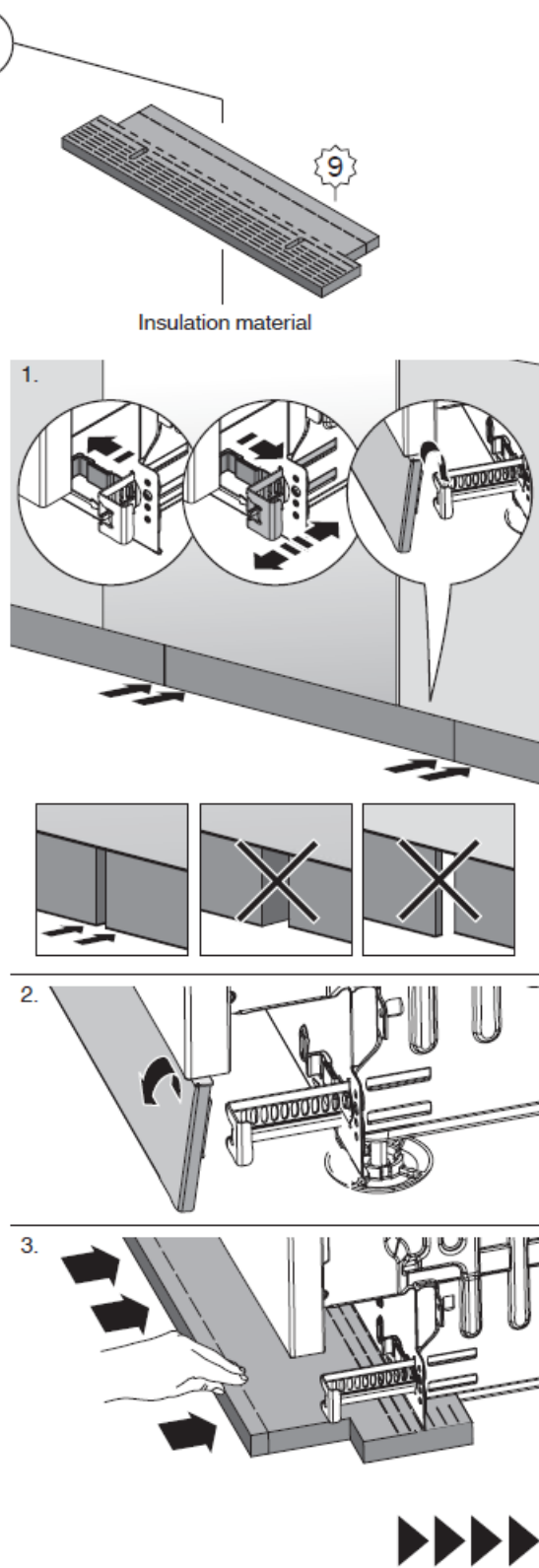
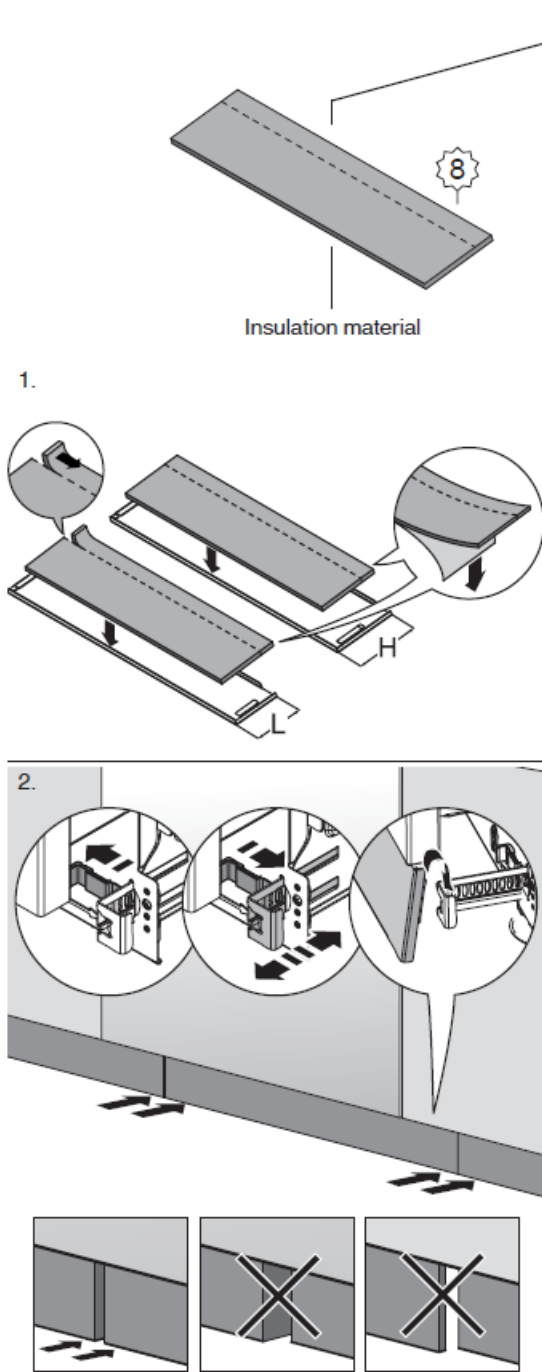
1. Connect ground wire to ground connection screw on the bottom.



When doing a hard-wire installation, you must remove the supplied power cord.



INSTALLING THE TOE KICK



INSTALLING THE TOE KICK

