



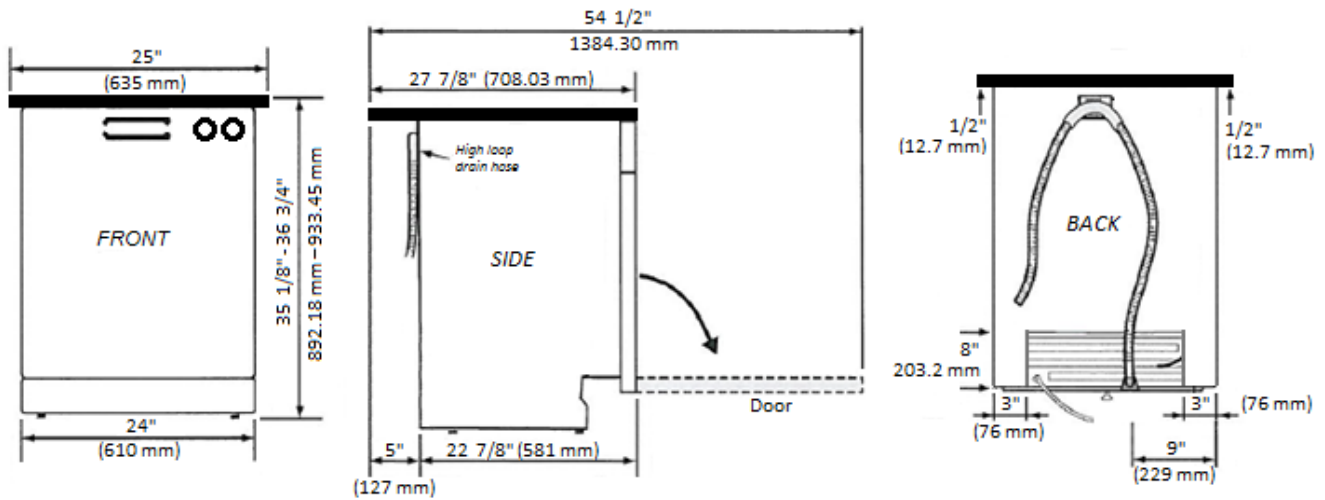
5434LF Planning & Design: Freestanding Glassware Washer

Unit Dimensions

	US	METRIC
HEIGHT:	35 1/8" – 36 3/4"	892.18 – 933.45 mm
WIDTH:	25"	635 mm
DEPTH:	27 7/8"	708.03 mm
DEPTH W/DOOR OPEN:	54 1/2"	1384.30 mm
SHIPPING WEIGHT:	195 lbs	88.45 kg

Technical Data

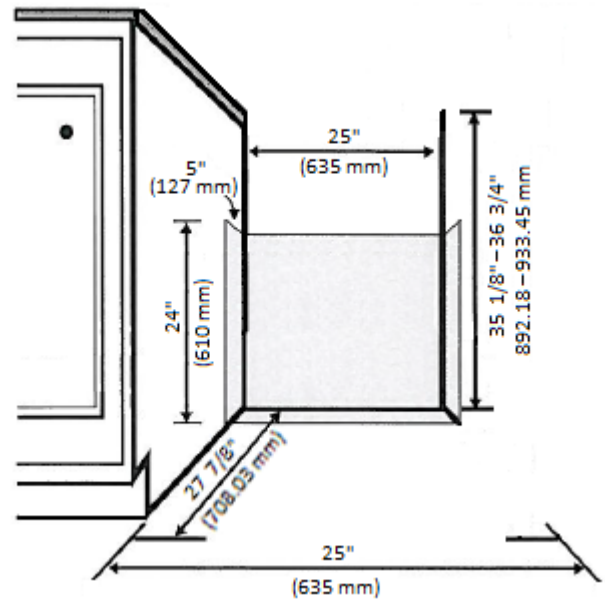
Electricity:	120 V, 60 Hz, 15 Amp
Water Pressure:	18 - 176 psi
Heating Element:	1200 watt
Max Loading:	1300 watt



Cutout Dimensions

	US	METRIC
HEIGHT:	35 1/8" – 36 3/4"	892.18 – 933.45 mm
WIDTH:	25"	635 mm
DEPTH:	27 7/8"	708.03 mm

The electrical and water supplies should enter through the area indicated by the shaded area. Preferably, they should come through the right side of the machine. The access hole must be round and smooth and no bigger than 1 1/2" (38 mm) in diameter.



Specifications are subject to change without notice. See installation instructions for additional details.